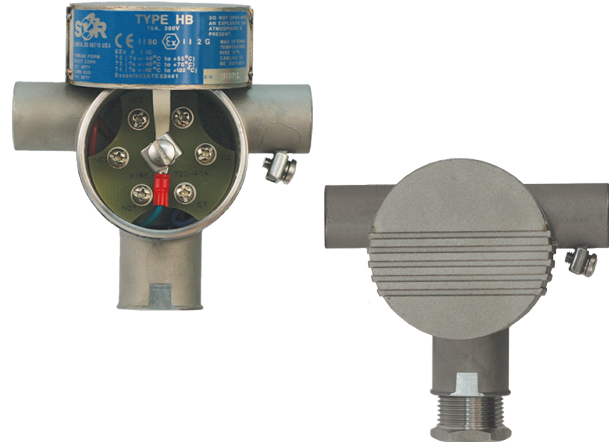


## HT-HB Explosion Proof Terminal Box

**HT and HB** terminal boxes are compatible with any explosion proof SOR® pressure or temperature switch that is normally supplied with sealed wire leads. The HT and HB are especially useful for converting wire leads on hermetically sealed controls to screw terminal connections.

Specify the HT or HB accessory when explosion proof instruments with sealed wire leads must be supplied with screw terminals.



### Features and Benefits

- Cast CF-8M (Stainless Steel) Material
- Six #6 Ring Terminals
- 14 AWG Capacity 300 Volts, 15 Amps
- Captive Cover
- Internal Ground
- External Ground Lug
- M20 x 1.5 Conduit Connection Available
- Weatherproof NEMA 4X and Explosion Proof
- Ambient Temperature Rating -40 to 250°F (-40 to 121°C)
- Approximate Weight 2-1/2 lbs. (1.1 kg)
- GOST R Certificate for Russia

Place the designator from the specifications below in the accessory section of a model number to specify one of the terminal boxes. The terminal boxes are factory installed.

#### Designator HT

Conduit Connection 1/2" NPT(F)  
 FM Approved and CSA Certified  
 Class 1, Group A, B, C, D; Class II,  
 Group E, F, G; Class III, Division 1  
 (NEMA 4X)

#### Designator HB

Conduit Connection 1/2" NPT(F)  
 ATEX/IECEX or INMETRO approved  
 Ex db IIC T6 ( $T_{amb} = -40^{\circ}\text{C}$  to  $+55^{\circ}\text{C}$ ) Gb  
 or T5 ( $T_{amb} = -40^{\circ}\text{C}$  to  $+70^{\circ}\text{C}$ ) Gb  
 or T4 ( $T_{amb} = -40^{\circ}\text{C}$  to  $+100^{\circ}\text{C}$ ) Gb

#### Designator HBME

Conduit Connection M20x1.5(F)  
 ATEX/IECEX or INMETRO approved  
 Ex db IIC T6 ( $T_{amb} = -40^{\circ}\text{C}$  to  $+70^{\circ}\text{C}$ ) Gb  
 or T5 ( $T_{amb} = -40^{\circ}\text{C}$  to  $+85^{\circ}\text{C}$ ) Gb  
 or T4 ( $T_{amb} = -40^{\circ}\text{C}$  to  $+105^{\circ}\text{C}$ ) Gb

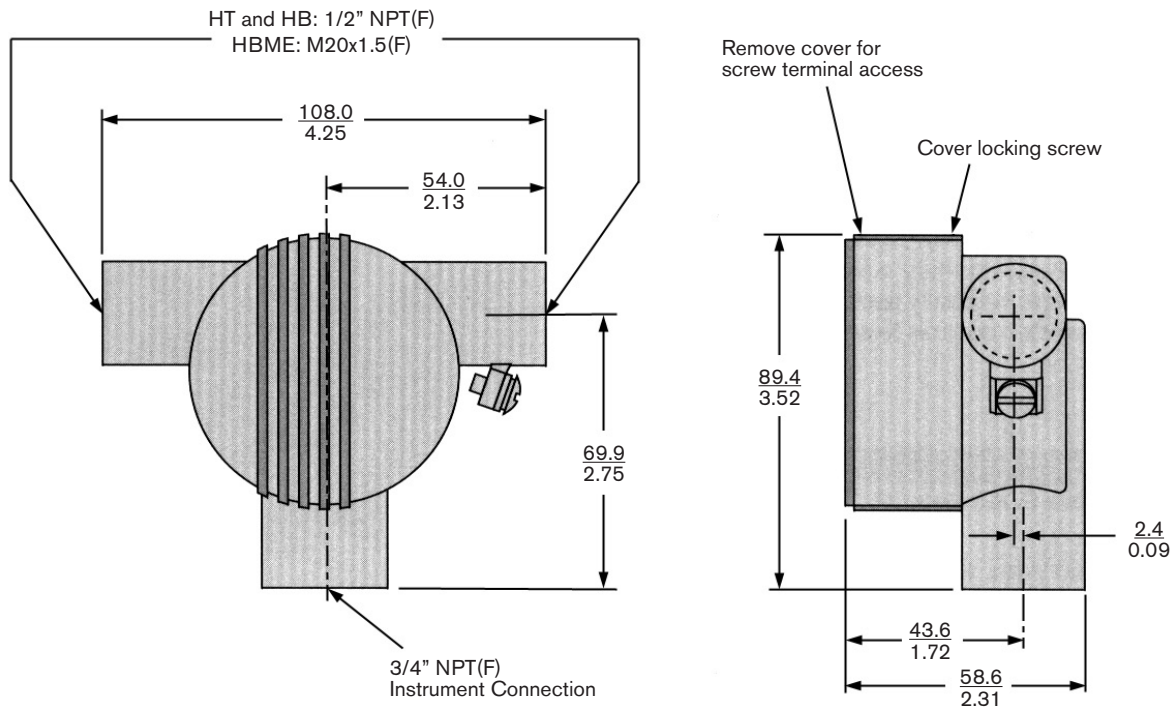
See SOR product literature for more about model numbers and agencies.

The terminal box can also be ordered as a stand alone item for OEM applications. Contact the factory or the SOR representative in your area for details.

# HT-HB Explosion Proof Terminal Box

## Dimensions

Dimensions shown are for reference only. Contact the factory for certified dimension drawings.  
Linear = mm/in.



MEASUREMENT AND CONTROL

SOR Inc. | Lenexa, KS USA | 913-888-2630 | Fax 913-888-0767 | [SORInc.com](http://SORInc.com)

### REGIONAL OFFICES

#### China

SOR China | Beijing, China | [china@SORInc.com](mailto:china@SORInc.com)  
+86 (10) 5820 8767 | Fax +86 (10) 58 20 8770

#### Middle East

SOR Measurement & Control Equipment Trading DMCC | Dubai, UAE  
[middleeast@SORInc.com](mailto:middleeast@SORInc.com) | +971 4 363 3637 | Fax +1 913 312 3596