



534CR Mini-Hermet Pressure Transmitter

Form 1175

The **534CR Mini-Hermet pressure transmitter** is a compact loop-powered transmitter. It can be locally ranged in service while maintaining its explosion proof integrity which differentiates it from non-serviceable instruments. Its performance is comparable to full-size conventional transmitters. The Series 534CR is suitable for hazardous locations and hostile environments where space is limited. They meet those applications where low-cost, continuous monitoring is preferred.

Features

- Ranges from 10 to 2000 psig
- 0.25% accuracy
- 4-20 mA, loop powered
- In service calibration
- EMI/RFI protection
- Intrinsically Safe and explosion proof
- NEMA 4X, IP 66 housing



534CR

Product Specifications

Accuracy (Linearity, Hysteresis and Repeatability)	+0.25% URL	Output	4 to 20 mA (1-5 VDC optional), loop powered
Turndown 4:1		Loop Resistance	700 ohms @ 24 VDC
Zero Offset	+10% URL	Circuit Protection	Reverse polarity and surge protected
Temperature Range		Construction	316SS housing (CF8M)
Compensated	-20 to 160°F (-29 to 71°C)	Process Connection	1/4" or 1/2" NPT(F)
Ambient	-40 to 185°F (-40 to 85°C)	Electrical Connection	
Process	-40 to 250°F (-40 to 121°C) see O-Ring Material	Size	1/2" NPT(M)
Storage	-40 to 185°F (-40 to 85°C)	Termination	24 AWG shielded cable, 18 inch length
Temperature Effect	+1% of URL/100°F @ -20 to 160°F	Wetted Materials	316SS (others available), ceramic (Al ₂ O ₃) diaphragm, o-ring
Long Term Stability	+0.5% URL per year	Weight	1.8 lb (0.7 kg)
Over Pressure Protection	1.5X URL	Warranty	5 years
Response Time	< 25 ms		
Supply Voltage	10-30 VDC		

Design and specifications are subject to change without notice. For latest revision, see www.sorinc.com.

534CR Mini-Hermet Pressure Transmitter

Test Certificates

534CR	Certificates	C1	C2	C3	C4	C8	B1	B7	A1	A2	A3	A4	A5
	Calibration	◆					◆	◆	◆	◆	◆	◆	◆
	Hydrostatic Pressure Test		◆				◆			◆	◆	◆	◆
	Inspection Report			◆			◆	◆			◆	◆	
	Compliance / Conformance				◆			◆	◆	◆		◆	◆
	Typical Material of Wetted Parts						◆	◆	◆	◆	◆	◆	◆

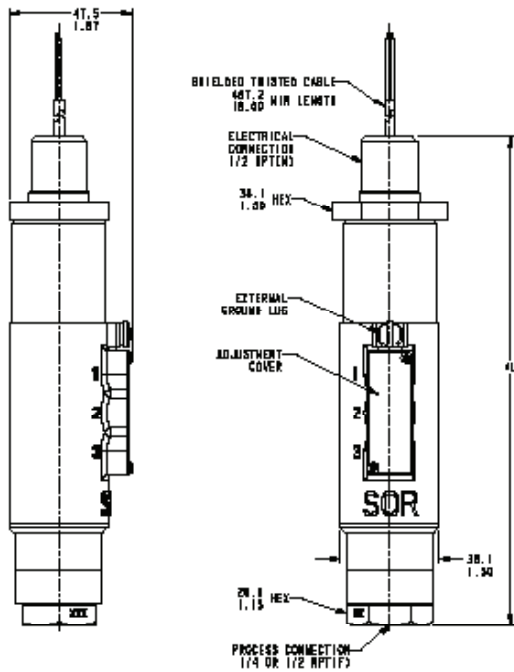
Agency Approvals

Approved	Safety Method	Approval	Model(s)
CSA	Explosion Proof Intrinsically Safe	Class I, Groups A, B, C, & D; Class II, Groups E, F, & G; Class III, Divisions 1 & 2	534CR-xxxx-P9-xxx-xx-CS

Dimensions

Dimensions shown are for reference only. Contact the factory for certified dimension drawings.
Linear = mm/in.

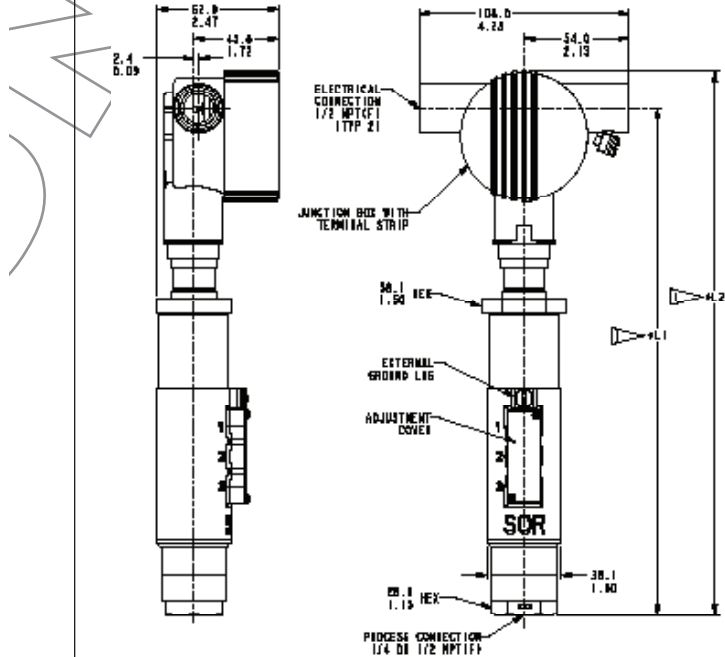
534



RANGE	* LENGTH L	
	1/4" NPT(F) SHOWN	1/2" NPT(F)
10-101 PSI	148.2 T.41	AND 13.2 0.52
210-2010 PSI	200.0 T.81	AND 17.3 0.68

Drawing 0090976

534 with TL Accessory



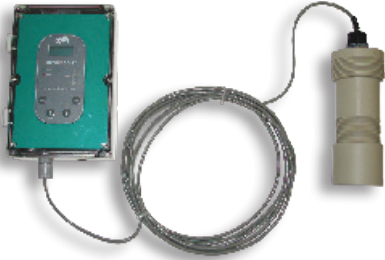
THIS DIMENSION IS APPROXIMATE AND BASED ON 1.5 THREAD ENGAGEMENT

RANGE	* LENGTH L1	* LENGTH L2	
	1/4" NPT(F) SHOWN	1/4" NPT(F) SHOWN	
10-101 PSI	261.8 10.28	280.0 11.00	ADD 13.2 0.52
210-2010 PSI	273.0 10.75	292.6 11.52	ADD 17.3 0.68

Drawing 0090977

SOR® offers a full line of commercial-grade process instruments.

**echOsonix®
Level Transmitters**



**Level
Switches**



Level

**Temperature
Switches**



Temperature

**Flow
Switches**



Flow

Pressure

**Pressure
Switches**



MEASUREMENT AND CONTROL

Engineered to Order with Off-the-Shelf Speed

SOR Inc.

14685 West 105th Street
Lenexa, Kansas 66215

Phone 913-888-2630
Toll Free 800-676-6794
Fax 913-888-0767

sorinc.com

SOR Europe, Ltd.

Farren Court
Cowfold
West Sussex RH13 8BP
United Kingdom

Phone +44 (0) 1403 864000
Fax +44 (0) 1403 864040

SOR - China

Room 903, No. 10 Building
Wan Da Plaza
No. 93 Jian Guo Road
Chao Yang District
Beijing, China 100022

Phone +86 (10) 5820 8767
Fax +86 (10) 58 20 8770

Registered Quality System to ISO 9001

Form 1175 (04.14) ©SOR Inc.